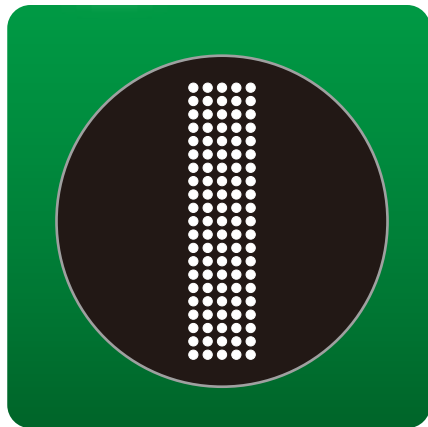




# 8 Inch and 12 Inch Vertical White Bar LED Traffic Signals



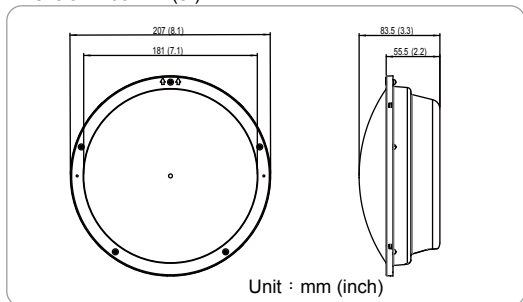
## Features / Benefits

- High efficiency & long life LED light source
- Failure of a single LED in the white bar icon results in loss of light from that LED only
- Easy to install with existing signal enclosure
- Lunar white

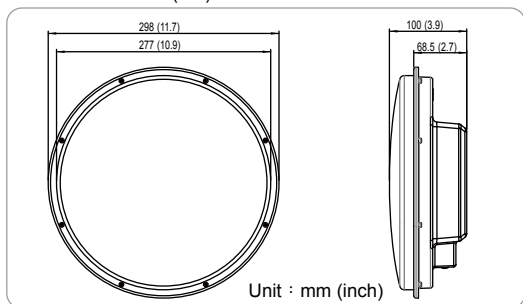
## Specifications

- Operating Voltage Range : 80 VAC to 135 VAC (120 VAC nominal)
- Operating Temperature Range : -40°C to +74°C
- Power Factor > 0.9
- Total Harmonic Distortion < 20%
- Turn on / Turn off time < 75 msec
- Meets FCC Title 47, Subpart B, Section 15 regulations for electrical noise
- Conforms to MIL-STD-810F for rain and blowing rain
- Conforms to MIL-STD883, Test Method 1010, for temperature cycling requirements
- Conforms to MIL-STD-883, Test Method 2007, for mechanical vibration
- UV stabilized scratch resistant shell

● Dimension: 200 mm (8")



● Dimension: 300 mm (12")



Model Number	Color	Description	Dimension	Operating Voltage Range ( VAC )	Power Consumption ( Watt ) ( Typ. )	Peak Minimum Maintained Luminous Intensity ( cd ) ( min )
TRQ-W08DD-Z2	White	8" Line	200 mm	80 ~ 135	7.5	400
TRQ-W12DD-Z2	White	12" Line	300 mm	80 ~ 135	7.5	400

Distributed by **FORTRAN** [www.fortrantraffic.com](http://www.fortrantraffic.com)  
 Central Office: 1-800-387-4555  
 Western Office: 604-502-9680



Address

1663 West 2nd Street, Pomona, CA 91766, U.S.A.  
 Tel : 909-784-3333 Fax : 909-784-3330  
 E-mail : Sales@eoius.com <http://www.eoius.com>

